

## Dual Venturi mask kits

Accurate oxygen delivery for adults and children




# Accurate oxygen delivery for adults and children

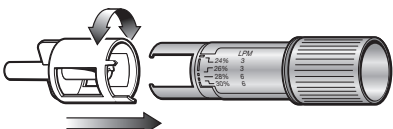
The Dual Venturi comprises a body and two colour coded (white and blue) heads. The range of delivered oxygen concentrations is determined by which of the colour-coded heads is fitted to the body.

Attaching the white head will provide concentrations of 24%, 26%, 28% & 30%. The blue head provides concentrations of 35%, 40% & 50%. The recommended flow rate is printed next to each concentration.

These flows have been selected to ensure that the patient receives a total flow of approximately 40 L/min. This is designed to meet the patient's "normal peak inspired flow" requirements<sup>1</sup>. The Dual Venturi design delivers accurate oxygen concentrations<sup>2</sup>.


The concentration delivered is unaffected by the patient's breathing pattern provided that the optimum flow indicated on the valve is set on the oxygen flow meter.

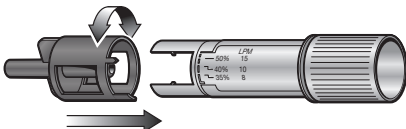




**24% - 30%**

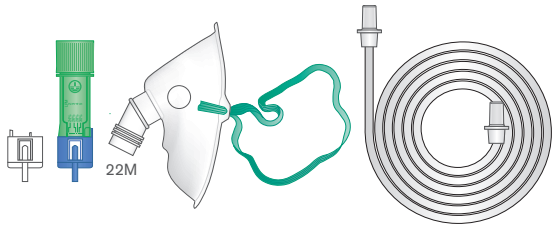
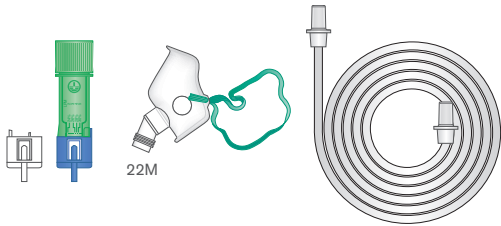
O <sub>2</sub> L/min	24%	26%	28%	30%
<b>2</b>	<b>51</b>	32	23	18
<b>3</b>	79	<b>47</b>	34	21
<b>4</b>	102	63	<b>44</b>	35
<b>5</b>	131	79	56	<b>44</b>





**35% - 50%**

O <sub>2</sub> L/min	35%	40%	50%
<b>8</b>	<b>45</b>	34	22
<b>10</b>	56	<b>41</b>	27
<b>15</b>	84	62	<b>41</b>

	 <p>22M</p>	 <p>22M</p>
<b>Code</b>	<b>1147</b>	<b>1187</b>
<b>Box qty.</b>	40	50
<b>Size</b>	Adult	Paediatric
<b>Tube length</b>	1.8m	1.8m

## References

<sup>1</sup> Clinical practice in Respiratory Care. James B.Fink

<sup>2</sup> Complies with EN 13544-3:2001, Respiratory Therapy Equipment - Part 3: Air Entrainment Devices